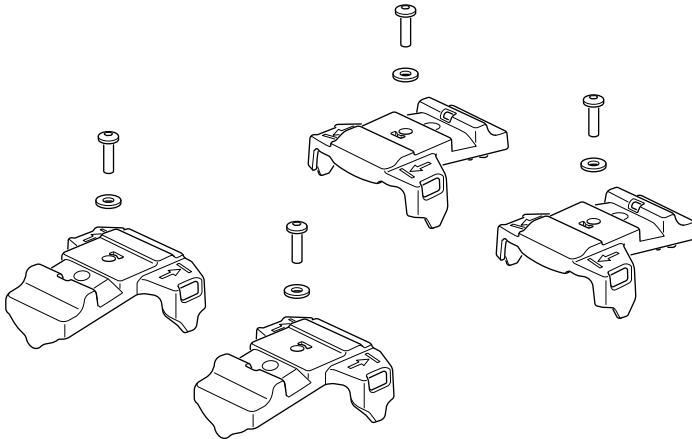


➤ Instructions

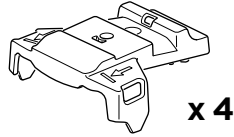
Thule Santu EasyFold XT kit 9099



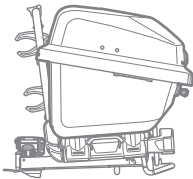
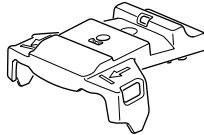
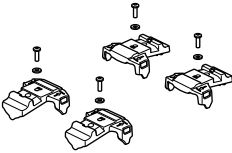


 x 4

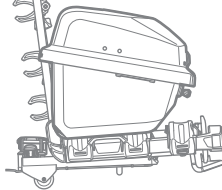
 x 4



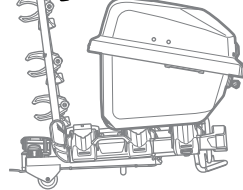
Thule Santu
EasyFold XT Kit
9099



Thule EasyFold XT 2-bike
9331, 9333

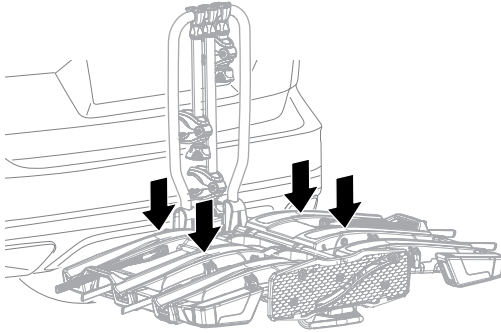


Thule EasyFold XT 3-bike
9341, 9343

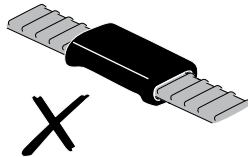
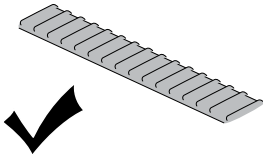


Thule EasyFold XT 3-bike
9341, 9343

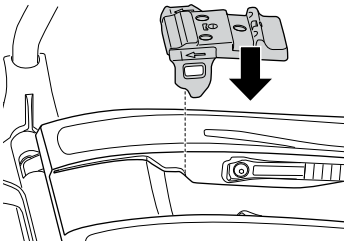
1



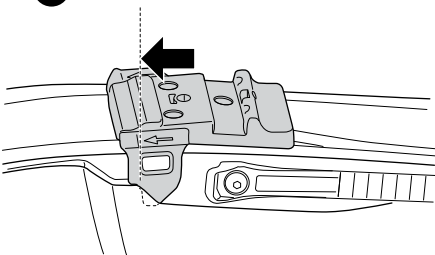
x 4



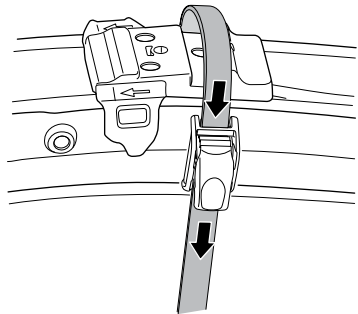
A



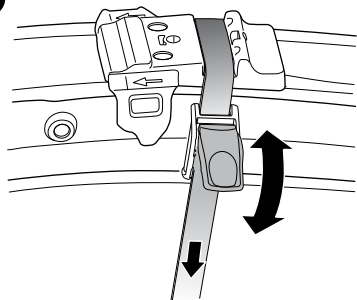
B

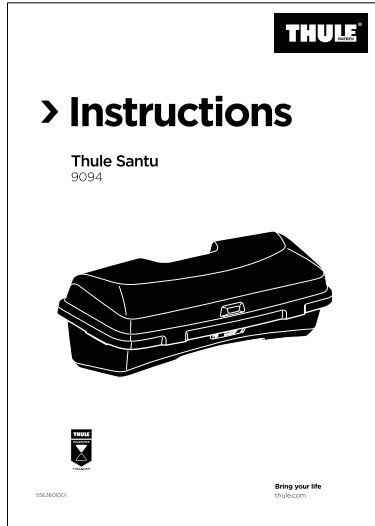


C



D





Thule Sweden AB
Borggatan 5, 335 73 Hillerstorp, SWE
info@thule.com | www.thule.com

© Thule Group. All rights reserved.
5563615001 | 2024-10-25 #01

» PART OF THULE GROUP