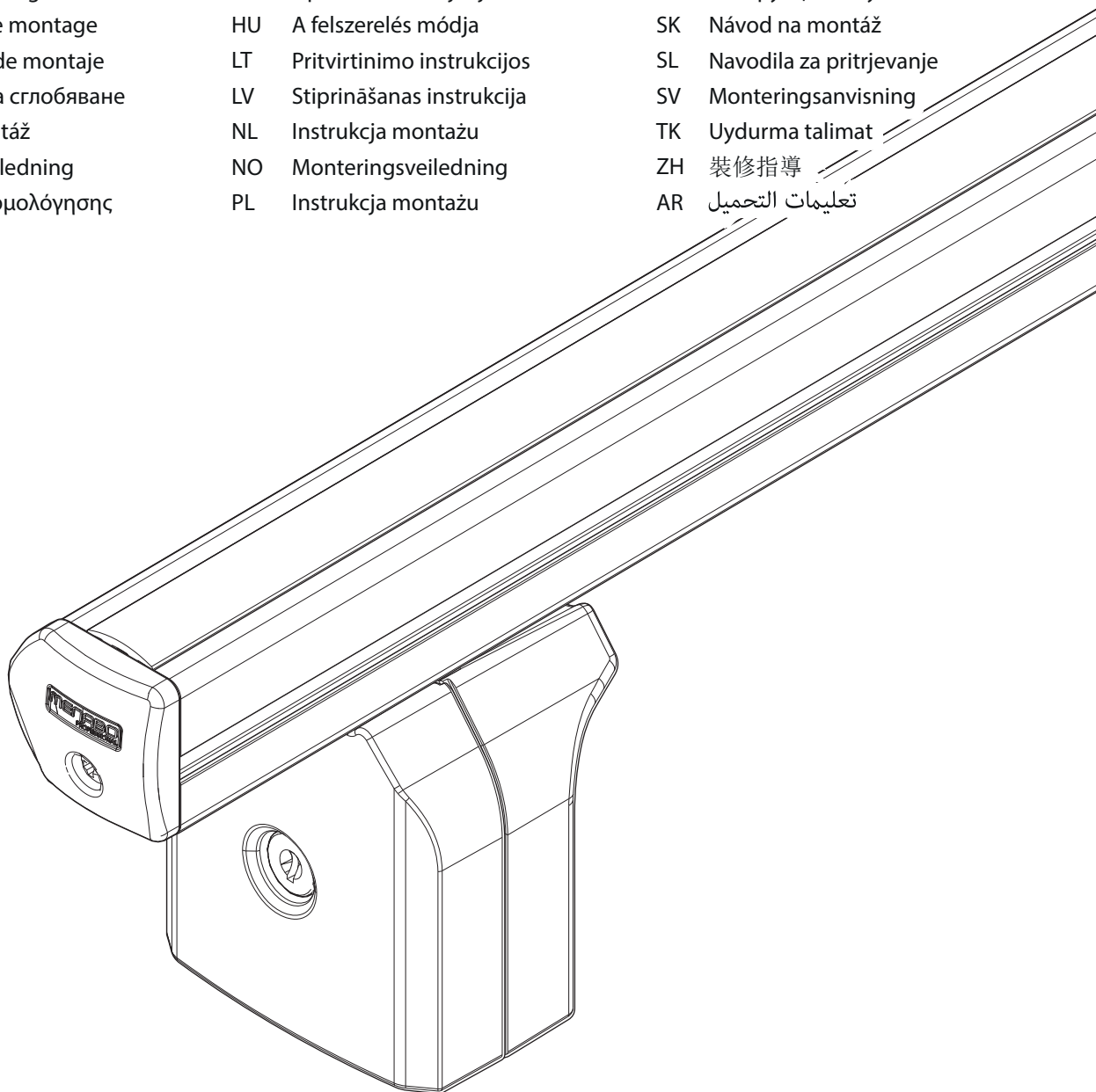









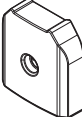
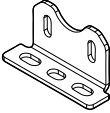
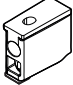
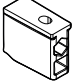








# MENABO






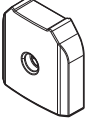









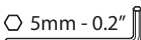

free time on the move

## PROFESSIONAL AIRDYN B

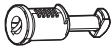

IT Istruzioni di montaggio	ET Paigaldusjuhend	PT Instruções de Montagem
EN Fitting instructions	FI Asennusohje	RO Instrucțiuni de montare
DE Montageanleitung	HR Uputa za sastavljanje	RU Инструкции по установке
FR Instructions de montage	HU A felszerelés módja	SK Návod na montáž
ES Instrucciones de montaje	LT Pritvirtinimo instrukcijos	SL Navodila za pritrjevanje
BG инструкции за сглобяване	LV Stiprināšanas instrukcija	SV Monteringsanvisning
CS Návod na montáž	NL Instrukcja montażu	TK Uydurma talimat
DA Monteringsvejledning	NO Monteringsveiledning	ZH 裝修指導
EL Οδηγίες συναρμολόγησης	PL Instrukcja montażu	AR تعليمات التجميع

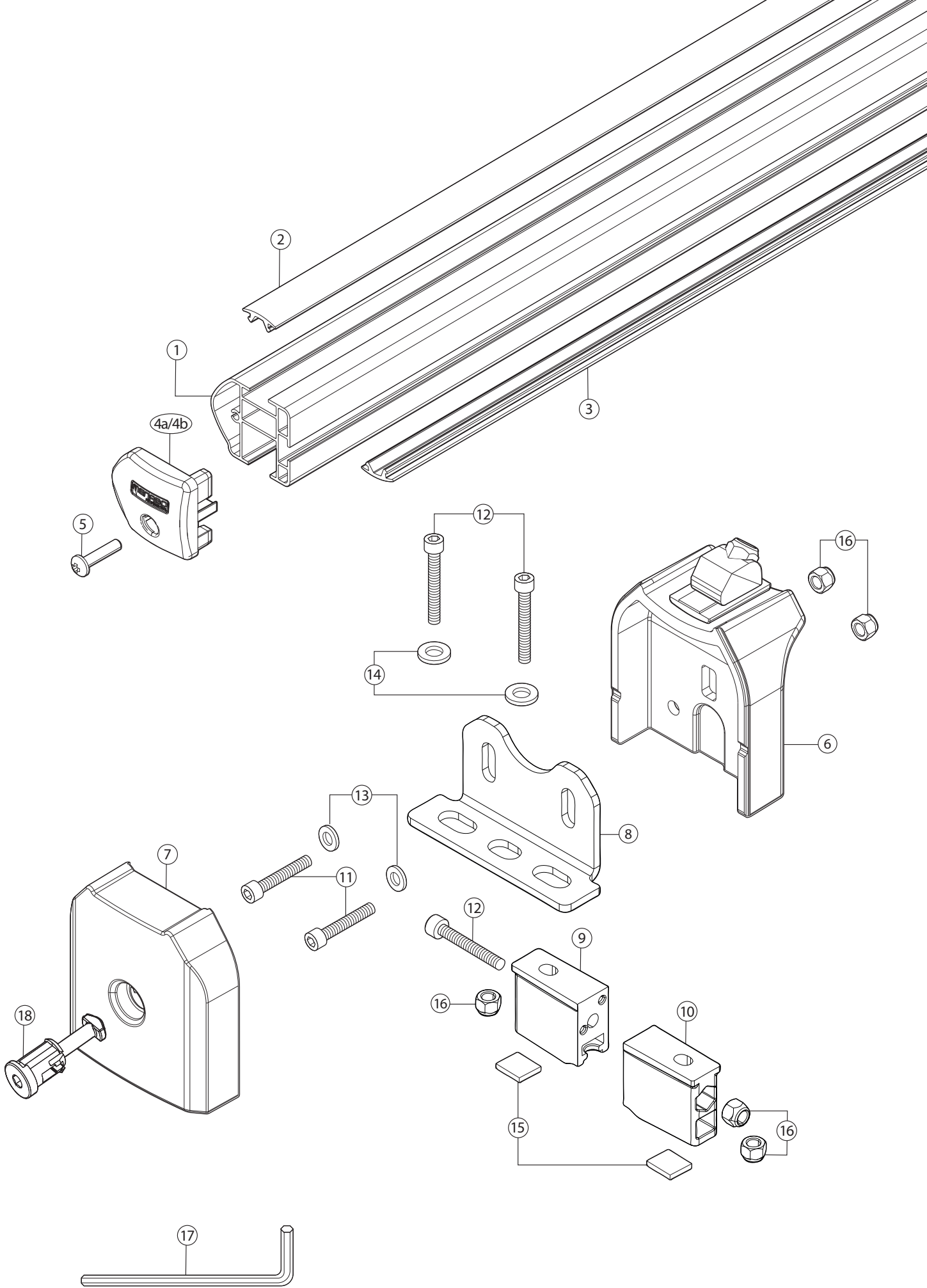


N.	[IT]Componenti (Inclusi) [EN]Components (Included) [FR]Composants (Comprises) [DE]Die Komponenten (im Lieferumfang enthalten) [ES]Componentes (Incluido)	Q.
1		3
2		3
3		3
4a		3
4b		3
5		6
6		6
7		6
8		6
9		6
10		6
11		12
12		18
13		12
14		12
15		12
16		30
17		1
18		6

N.	[IT]Ricambi (A Richiesta) [EN]Spare Parts (Made to order) [FR]Pièces de rechange (Sur commande) [DE]E Teile (auf Anfrage) [ES]Piezas de recambio (Previa solicitud)	Q.	Codice-Code-Código
2		2	700007900000
3		2	700037200000
4a		1	700047300000
4b		1	
5		2	
7		1	700034200000
5		2	700047500000
11		4	
13		4	
16		4	
18		2	700048100000
12		6	
14		4	
16		6	700048200000
15		4	
17		1	700025000000
18		4	700025300000

**OPTIONAL KIT 000084800000**

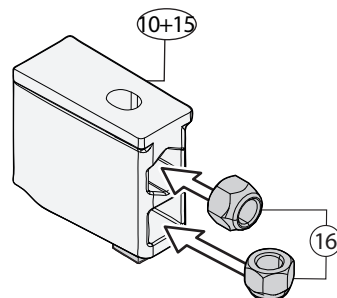
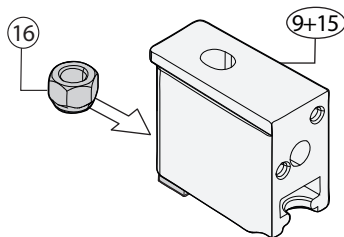
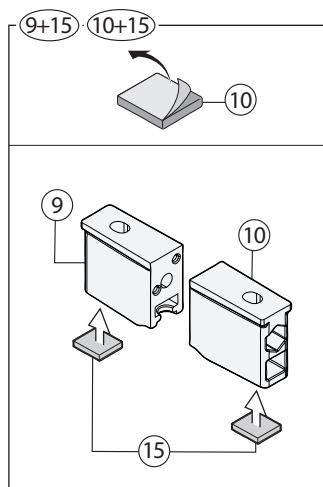
N.		Q.
19		4
20		2



		Max	YEAR	POSITION 1	POSITION 2	POSITION 3	POSITION 4	POSITION 5	POSITION 6
				6 5 4 3 2 1	6 5 4 3 2 1	6 5 4 3 2 1	6 5 4 3 2 1	6 5 4 3 2 1	6 5 4 3 2 1
CITROËN	Jumper III	3	14>	●		●			●
CITROËN	Relay II - L1,L2,L3,L4 - H1,H2,H3	3	14>	●		●			●
FIAT	Ducato IV	3	14>	●		●			●
IVECO	Daily V 3520/H2 (10,8m3)	3	14>		●		●		●
IVECO	Daily V 3520/H2 (10,8m3)	2	14>		●		●		●
IVECO	Daily V 3520/H2 (12m3)	3	14>		●		●		●
IVECO	Daily V 4100/H2 (16m3)	3	14>		●		●		●
IVECO	Daily V 4100/H2 (17,5m3)	3	14>		●		●		●
IVECO	Daily V 3000/H1 (7,3m3)	3	14>		●		●		●
IVECO	Daily V 4100/H3(13,4m3)	3	14>		●		●		●
IVECO	Daily V 4100/H3(18m3)	3	14>		●		●		●
IVECO	Daily V 4100/H3(19,6m3)	3	14>		●		●		●
IVECO	Daily V 3520/H1 (9m3)	3	14>		●		●		●
OPEL / VAUXHALL	Movano III	3	21>	●		●			●
PEUGEOT	Boxer III - L1,L2,L3,L4 - H1,H2,H3	3	14>	●		●			●
PEUGEOT	Manager II	3	14>	●		●			●
RAM	ProMaster (Van) - L1,L2,L3,L4 - H1,H2,H3	3	14>	●		●			●

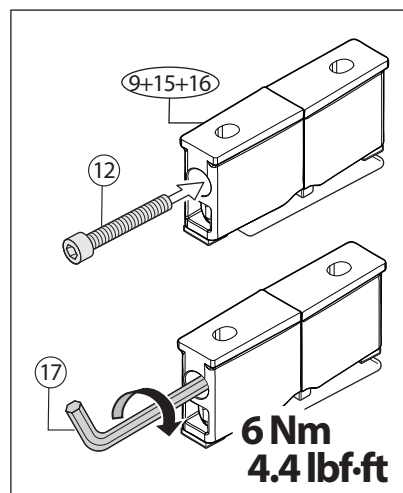
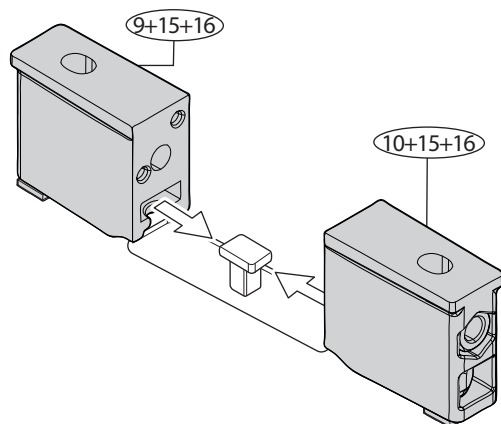
1 **x6**

N.		Q.
9		1
10		1
15		2
16		3



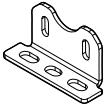


2 **x6**

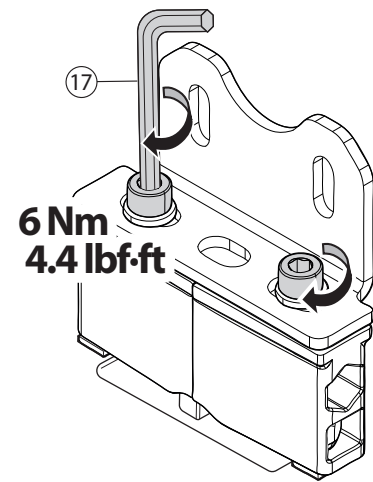
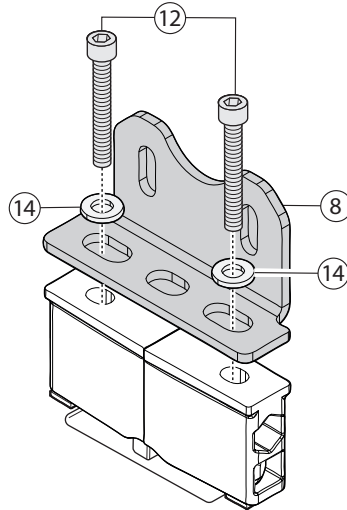
N.		Q.
12		1
17		1



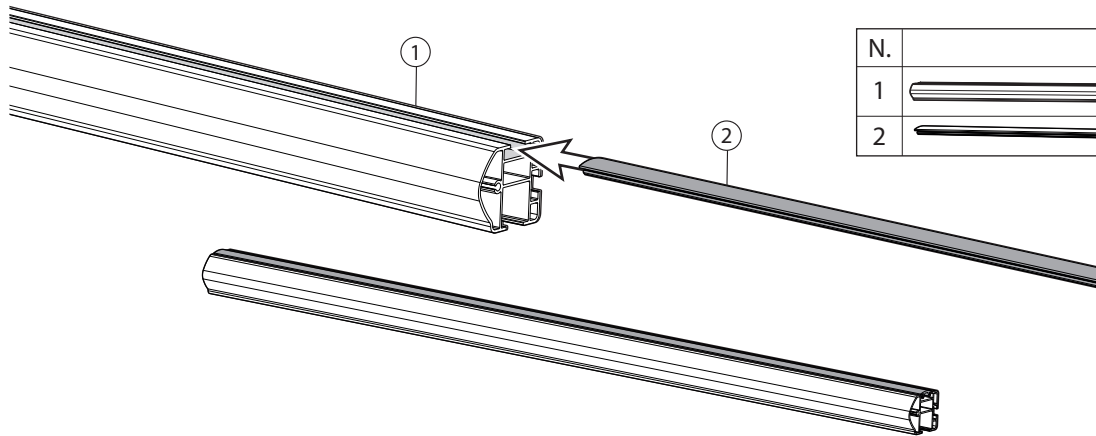
**x6**



3

N.		Q.
8		1
12	 M6x35	2
14	 Ø6X12	2

**x3**


4

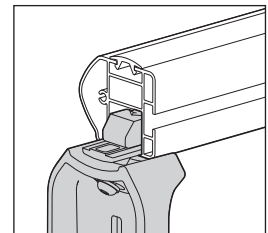
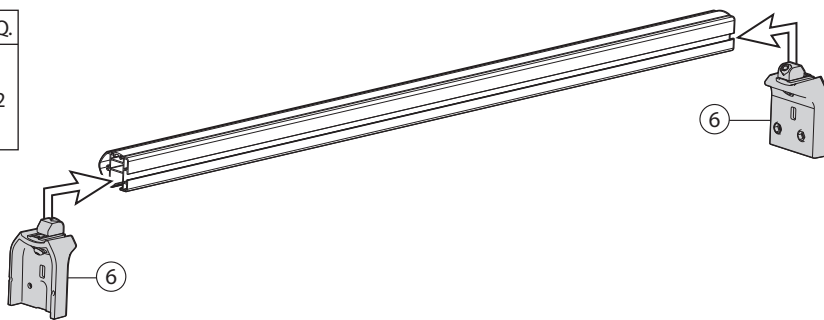


N.		Q.
1		1
2		1

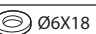


**X3**

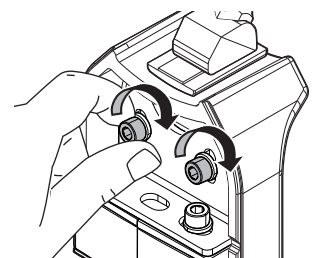
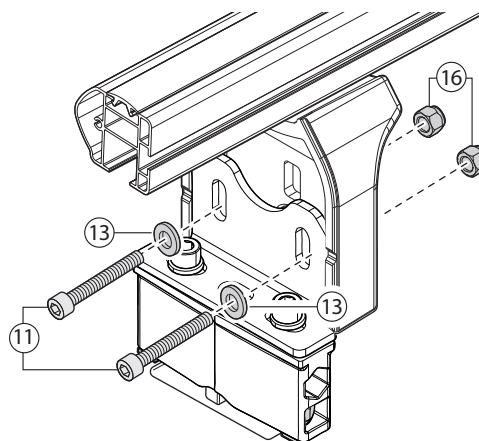
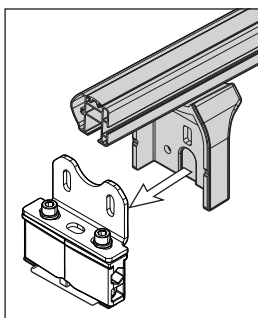
5

N.		Q.
6		2

**X6**

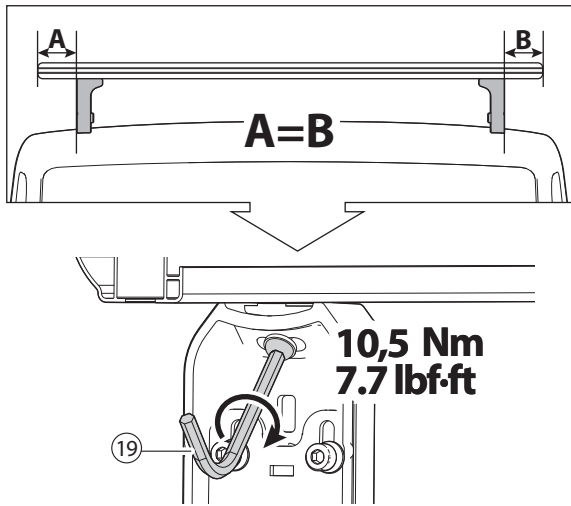
6

N.		Q.
11	 Ø6X18	2
13	 M6x16	2
16	 M6	2

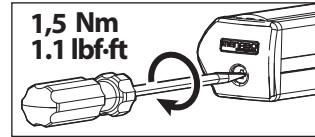
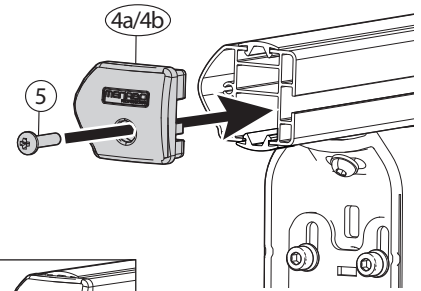


# X6

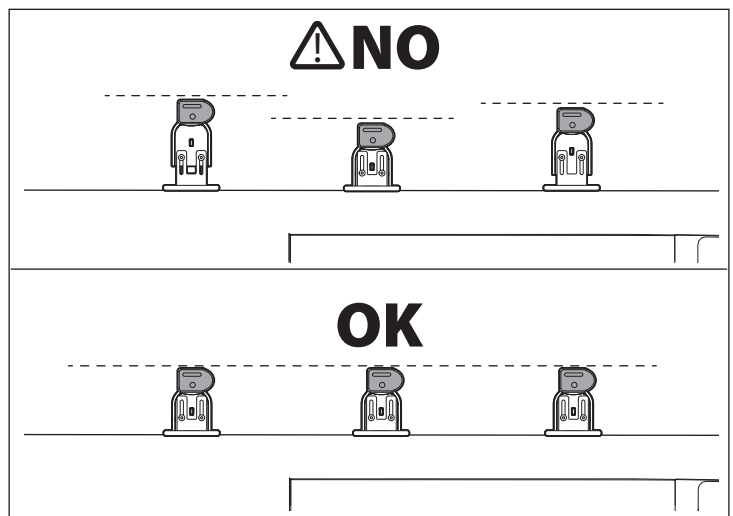
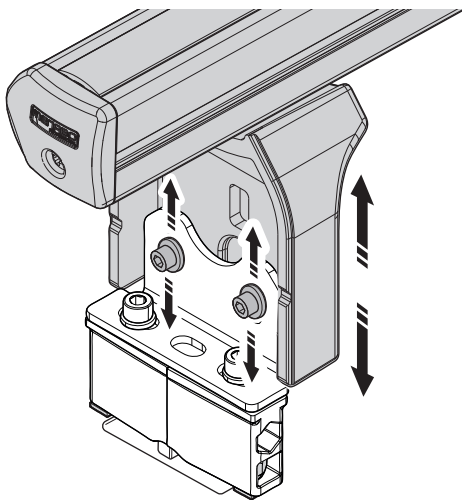
7



N.		Q.
4a		1
4b		1
5		1

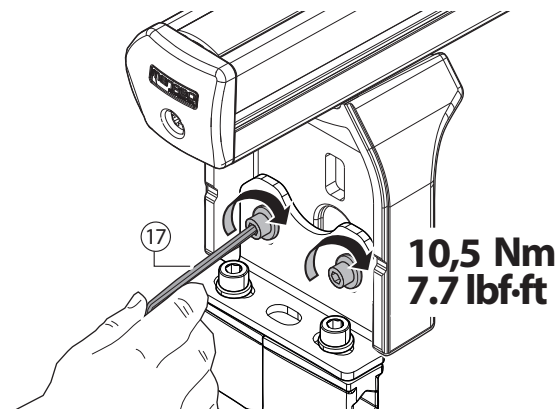


8



9

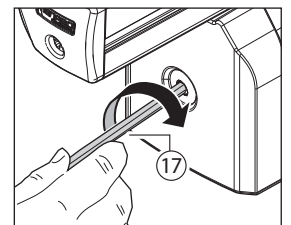
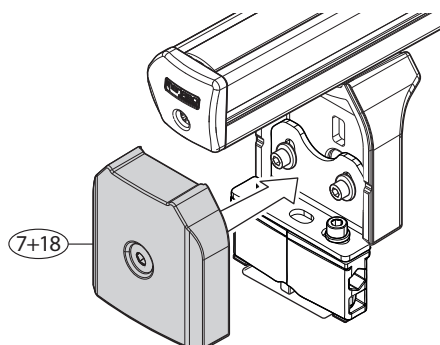
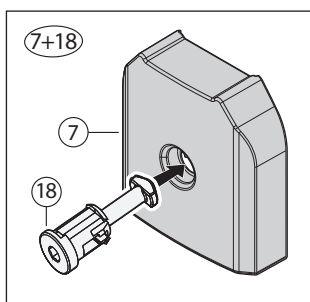
# x6



10

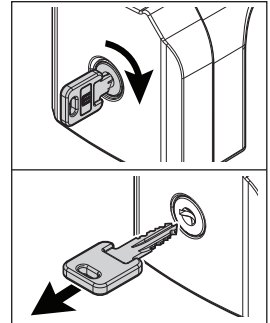
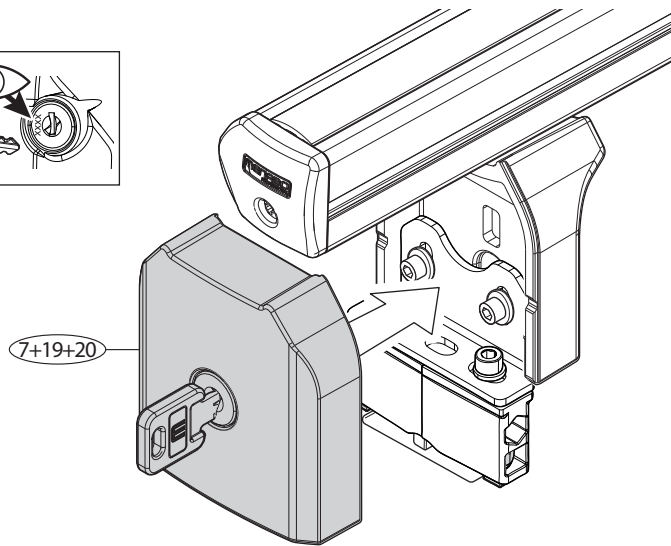
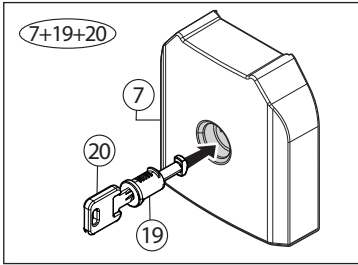
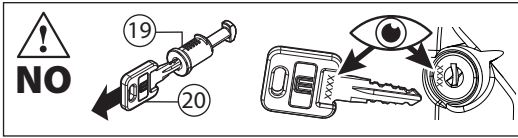
# x6

N.		Q.
7		1
18		1



10b **OPTIONAL KIT**  
Art.000084800000

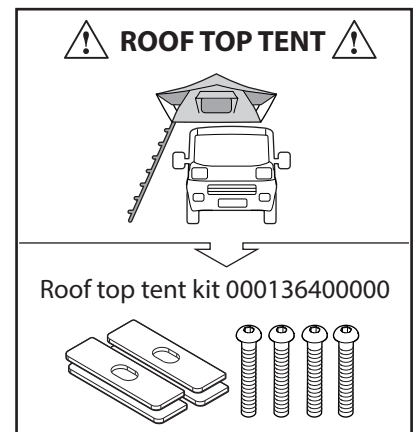
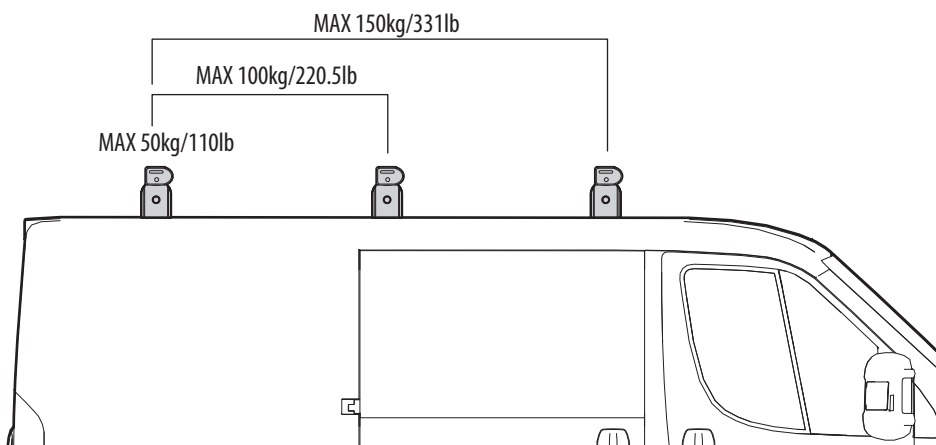
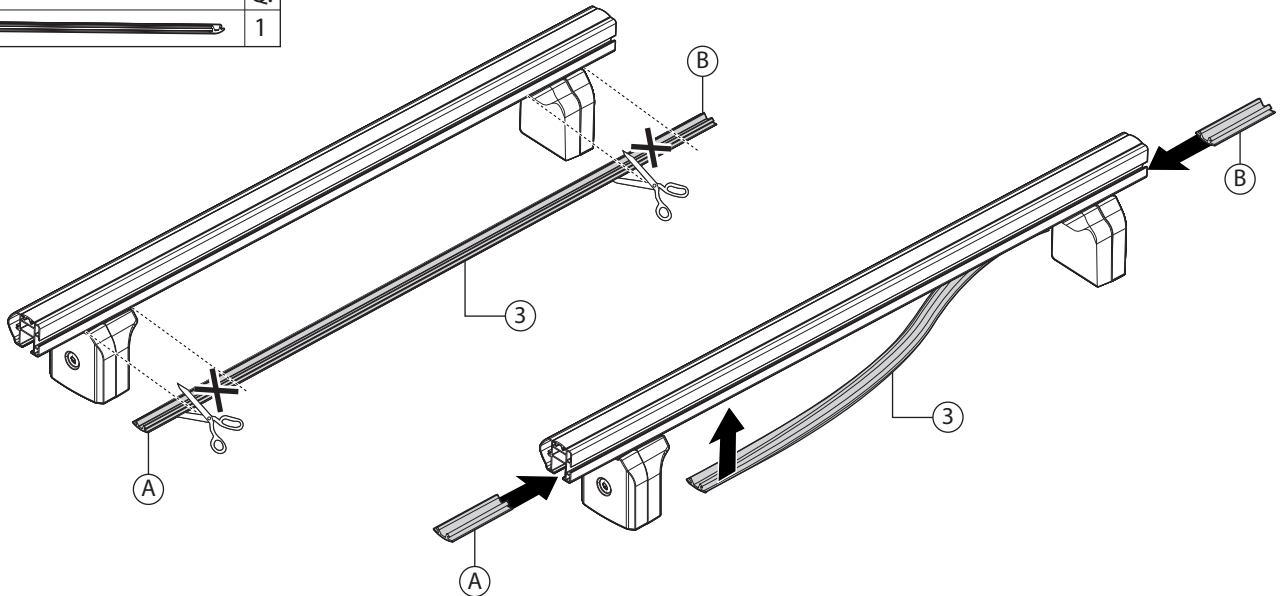
**x6**



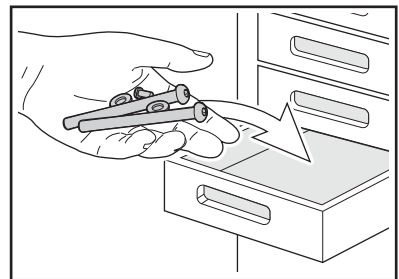
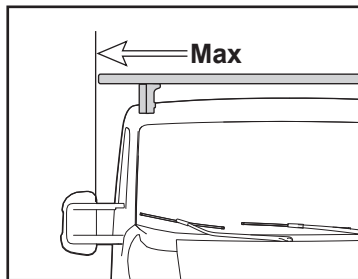
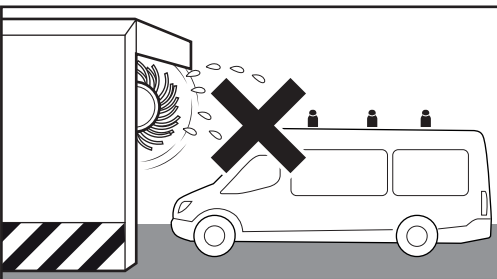
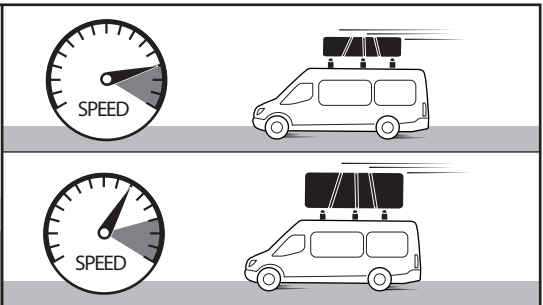
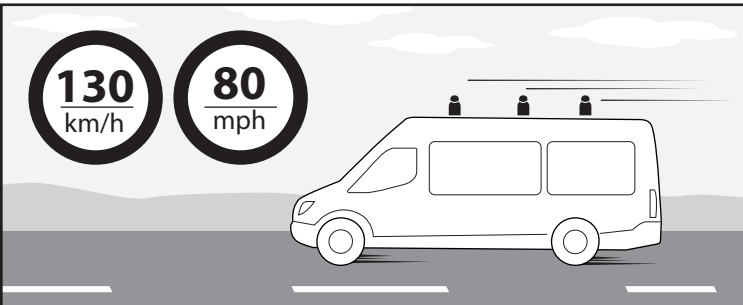
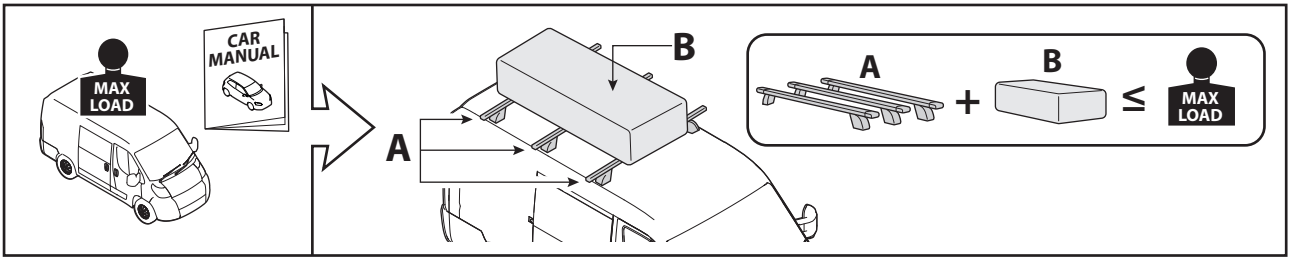
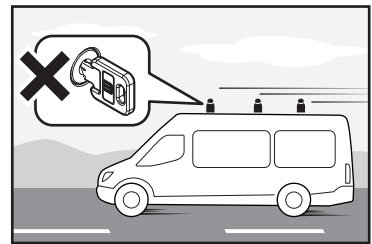
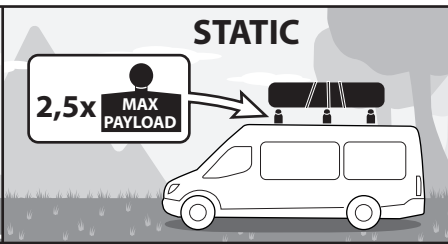
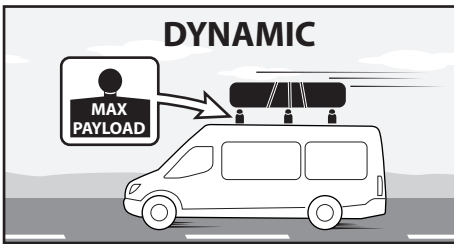
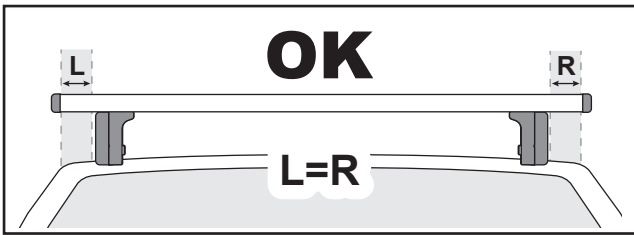
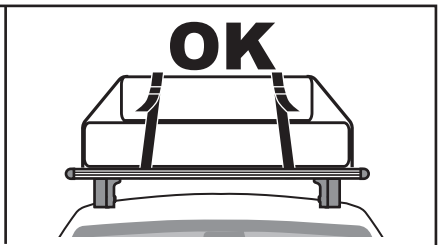
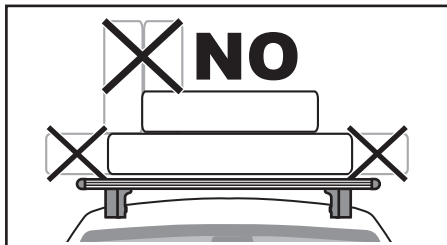
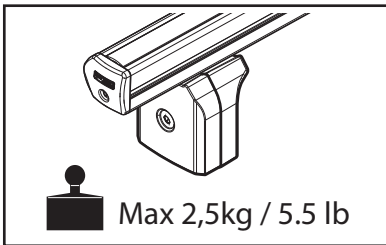
11

**x3**

N.		Q.
3		1







F.lli Menabò S.r.l.  
Via 8 Marzo, 3 -Z.I. Corte Tegge  
42025 Cavriago (RE) ITALY  
customercare@flli-menabo.it  
www.menabocaraccessories.com



500042400000  
03/02/2023