

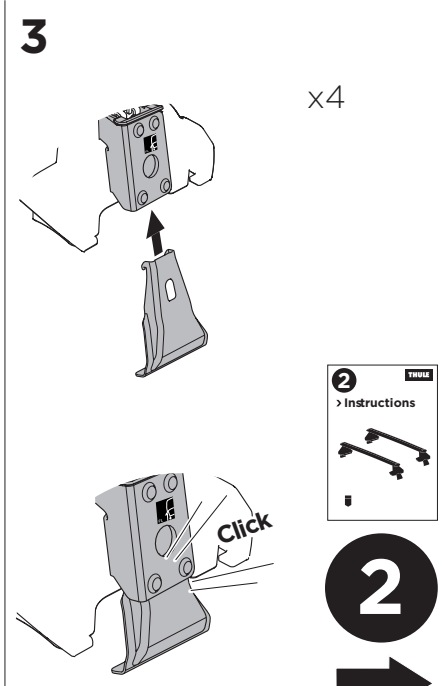
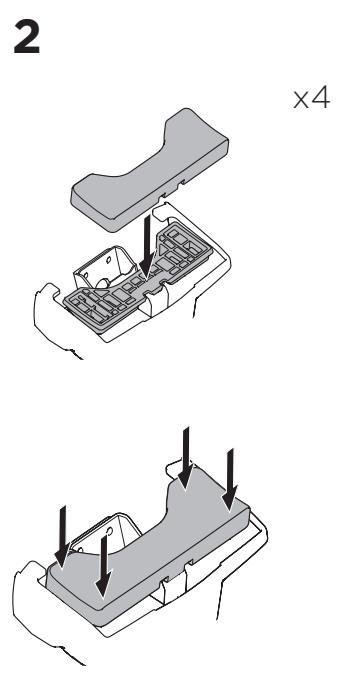
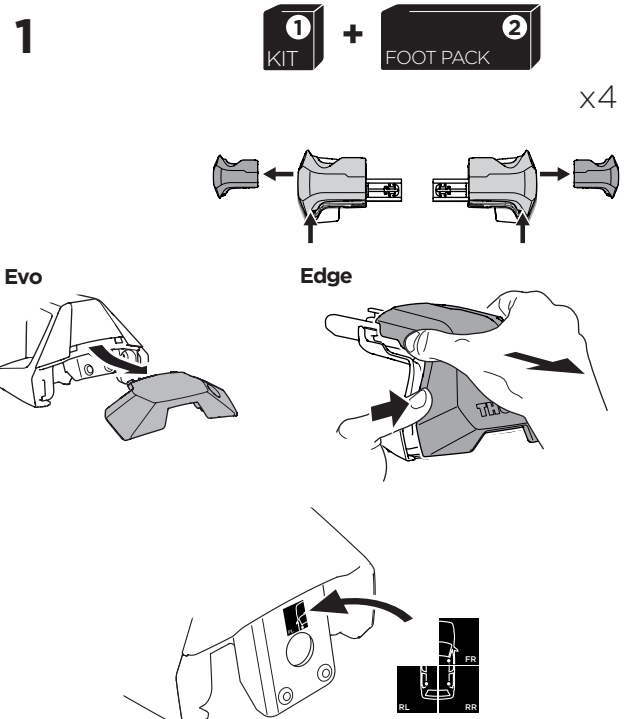
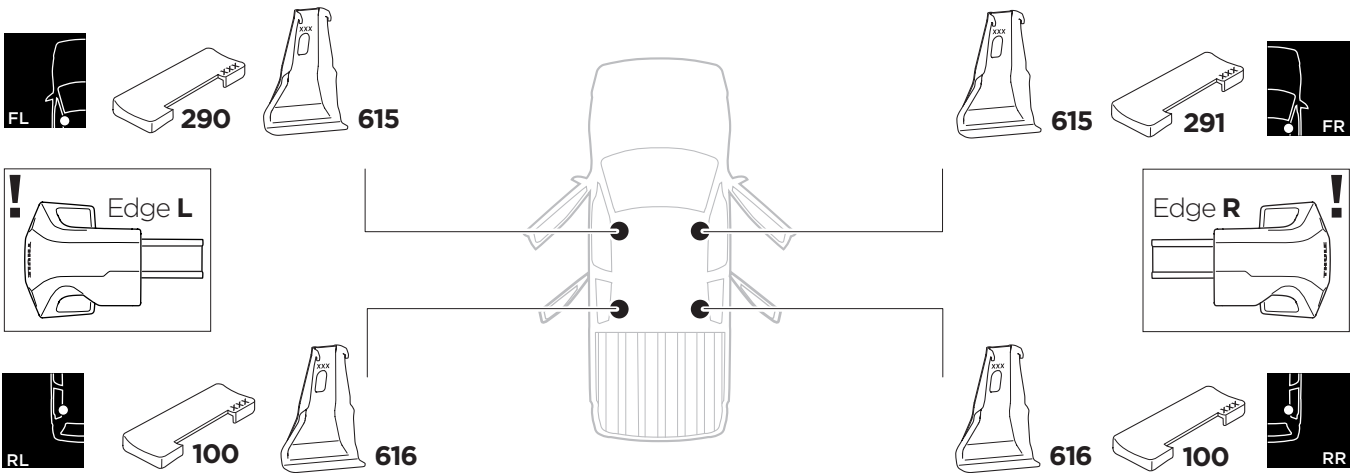
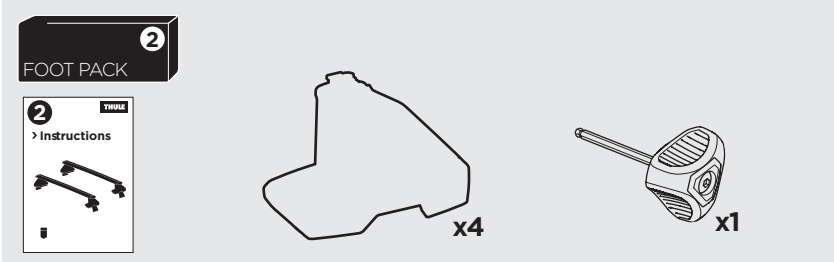
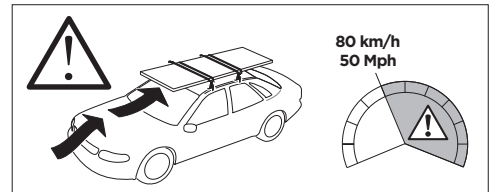
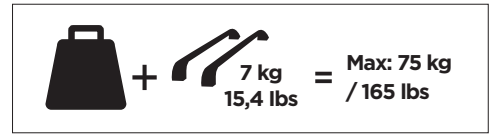
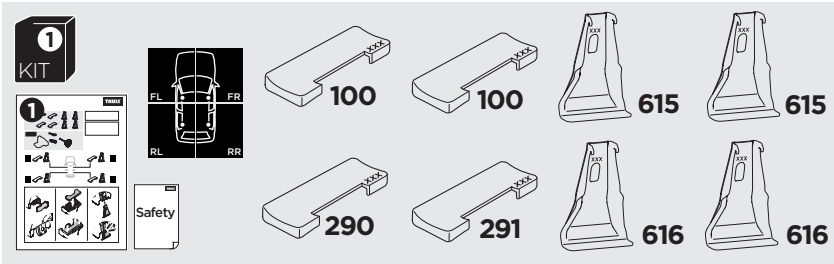
1

Kit 145390

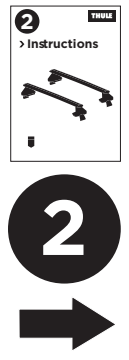
MITSUBISHI L200 Double Cab, 4-dr Pickup, 24-
MITSUBISHI Triton Double Cab, 4-dr Pickup, 24-

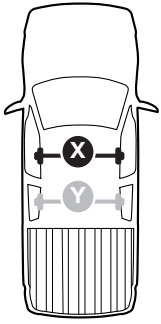


ISO 11154-E



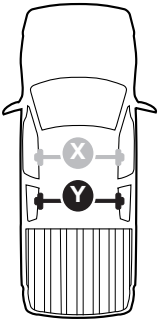
Bring your life
thule.com





THULE WingBar Evo	THULE WingBar Edge	THULE WingBar	THULE SquareBar Evo	Evo X (scale)	Edge X (scale)
MITSUBISHI L200 Double Cab, 4-dr Pickup, 24-				48	A
MITSUBISHI Triton Double Cab, 4-dr Pickup, 24-				48	A

THULE ProBar Evo	THULE SlideBar Evo	X (mm/inch)		
MITSUBISHI L200 Double Cab, 4-dr Pickup, 24-		1131 mm / 44 1/2"		
MITSUBISHI Triton Double Cab, 4-dr Pickup, 24-		1131 mm / 44 1/2"		



THULE WingBar Evo	THULE WingBar Edge	THULE WingBar	THULE SquareBar Evo	Evo Y (scale)	Edge Y (scale)
MITSUBISHI L200 Double Cab, 4-dr Pickup, 24-				45,5	F
MITSUBISHI Triton Double Cab, 4-dr Pickup, 24-				45,5	F

THULE ProBar Evo	THULE SlideBar Evo	Y (mm/inch)		
MITSUBISHI L200 Double Cab, 4-dr Pickup, 24-		1106 mm / 43 1/2"		
MITSUBISHI Triton Double Cab, 4-dr Pickup, 24-		1106 mm / 43 1/2"		

	W (mm/inch)	Z (mm/inch)
MITSUBISHI L200 Double Cab, 4-dr Pickup, 24-	700 mm / 27 1/2"	400 mm / 15 3/4"
MITSUBISHI Triton Double Cab, 4-dr Pickup, 24-	700 mm / 27 1/2"	400 mm / 15 3/4"

